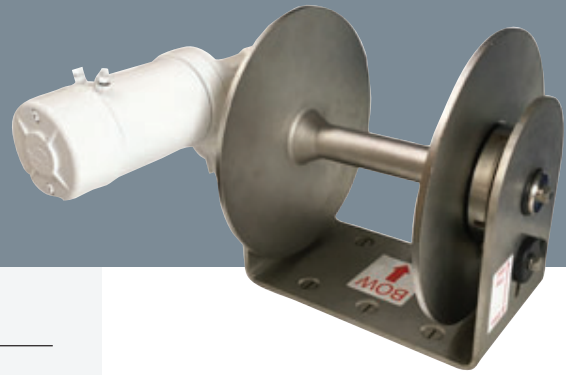


Drum Winches

FreeFall

DFF08/10



Model	DFF08	DFF10
VESSEL LENGTH	5–8m 16–26ft	8–10m 26–34ft
POWER SUPPLY (DC)	12V	12/24V
MOTOR (Watts)	600	1000
MAX LOAD	180kg at 7m/min 400lb	260kg 575lb
WORK LOAD	55kg at 33m/min 121lb	75kg at 33m/min 165lb
AMPS WORK LOAD (DC)	80	125/60
MAX LINE SPEED	33m/min	33m/min
CHAIN SIZE (Various)	6mm (1/4") 8mm (5/16")	8mm (5/16") 10mm (3/8")
ROPE SIZE (Various)	8mm (5/16")	10mm (3/8")
NET WEIGHT (KG)	15/16	30/31
CAPACITY (Drum)	80m of 6mm line OR 80m of 8mm line 6m of 6mm chain	100m of 6mm line OR 80m of 8mm line 6m of 6mm chain

FREEFALL

- Muir's patented Auto Freefall, or Manual Release Freefall are all available to you on the 1 unit!
- Mechanical Auto & Manual Release Freefall means no troublesome electronics need to be mounted on the Drum or in your chain locker.
- Drum Shaft on a serviceable bearing centre for smooth hassle free operation even under full load.
- Muir's designed HDPE & UV protected Heavy Duty Brake means no over-run of the Drum during Freefall.
- All Muir Freefall Drum Winches are supplied with Circuit Breaker, Reversing Solenoid Pack, Helm Control Switch and Fascia Panels, plus, Simple Tools & Hardware for an easy 30 second adjustment from Auto Freefall; to Manual Freefall and Power Up Power Down options!
- Installation Instructions and Service Manual provided, and backed by Muir's 3 year limited warranty!
- Anchoring made easy, fast, and reliable with a Muir Drum Winch.
- No electronic free-fall components to fail.
- Larger capacity than other Freefall Drums available on the market.
- Does not require any more space than the standard Drum Winch

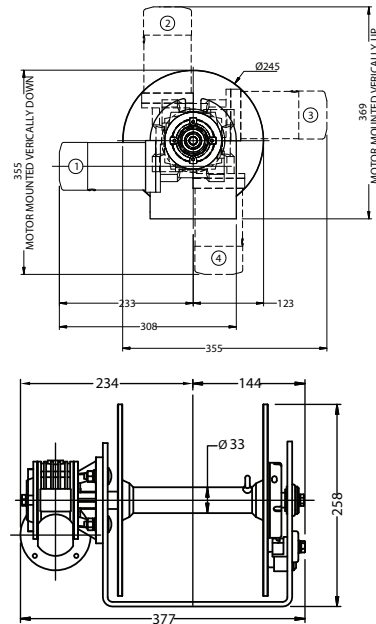
Features

- Compact Anchoring system to suit boats with little or no anchor rode storage.
- Designed and made in Australia.
- 3 year limited warranty.
- Drum-316 stainless Steel.
- Fitting Instructions Included with full electrical wiring diagram.
- Simple installation.
- "Tangle free" rope and chain operation
- Backing Plate available
- 4" & 6" Rollers available.



Drum Winch rope/
chain guide rollers

DFF08 FreeFall



DFF10 FreeFall

